

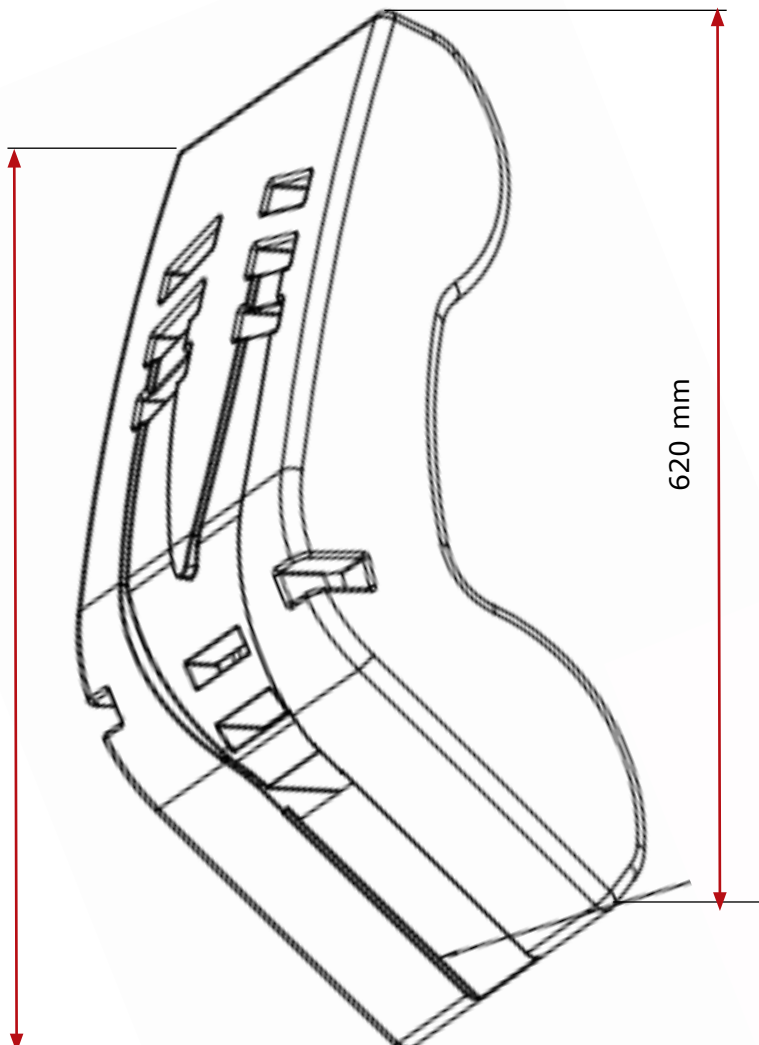
220 mm

275 mm

**Toddlerseat 7-18 mnd
for 3 point belt system.**

Weight in kilogram:	0,5
Material:	EPS Pioselan
Maximum weight child:	20 kg
Maximum length child:	95 cm *
Usage:	7-18 months
Colour:	black
Reach compliance:	yes
Tested:	ILAC - MRA
Tested:	ASTM
Regulatory:	IEC: 60068-2-6
Production:	The Netherlands
Warranty:	2 years

*calf and feet of the child may pass the below border of the seat



770 mm

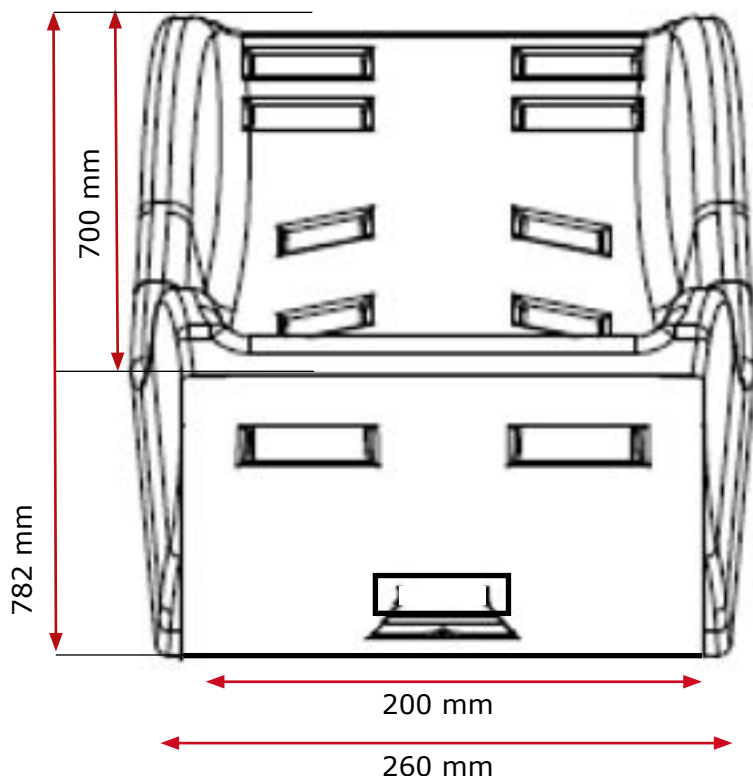
620 mm

**Babyshell 0-9 mnd
for 5 point belt system.**

Weight in kilogram:	0,5
Material:	EPS Pioselan
Maximum weight child:	20 kg
Maximum length child:	95 cm*
Usage:	0-9 months
Colour:	black
Reach compliance:	yes
Tested:	ILAC - MRA
Tested:	ASTM
Regulatory:	IEC: 60068-2-6 IEC: 60068-2-27 IEC: 60068-2-64
Production:	The Netherlands
Warranty:	2 years

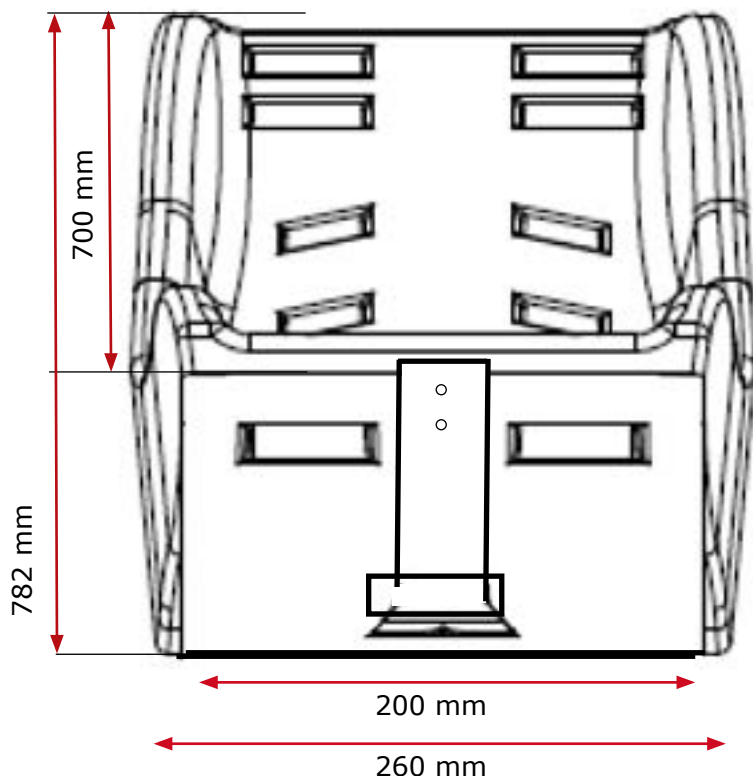
*calf and feet of the child may pass the below border of the seat

SPECS & FACTS



Babyshell 0-9 mnd for **3 point belt system.**

Weight in kilogram:	0,5
Material:	EPS Pioselan
Maximum weight child:	12 kg
Maximum length child:	78 cm
Usage:	0-9 months
Colour:	black
Reach compliance:	yes
Tested:	ILAC - MRA
Tested:	ASTM
Regulatory:	IEC: 60068-2-6
Production:	The Netherlands
Warranty:	2 years



Babyshell 0-9 mnd for **5 point belt system.**

Weight in kilogram:	0,5
Material:	EPS Pioselan
Maximum weight child:	12 kg
Maximum length child:	78 cm
Usage:	0-9 months
Colour:	black
Reach compliance:	yes
Tested:	ILAC - MRA
Tested:	ASTM
Regulatory:	IEC: 60068-2-6 IEC: 60068-2-27 IEC: 60068-2-64
Production:	The Netherlands
Warranty:	2 years