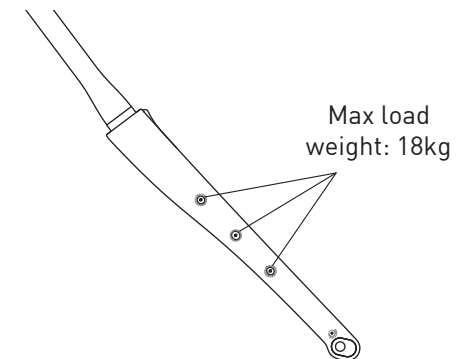
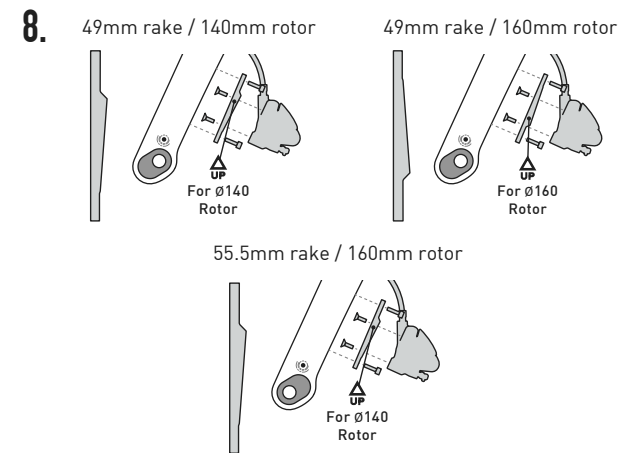
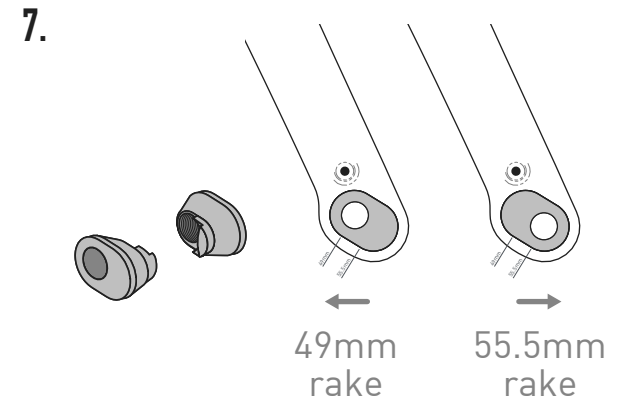
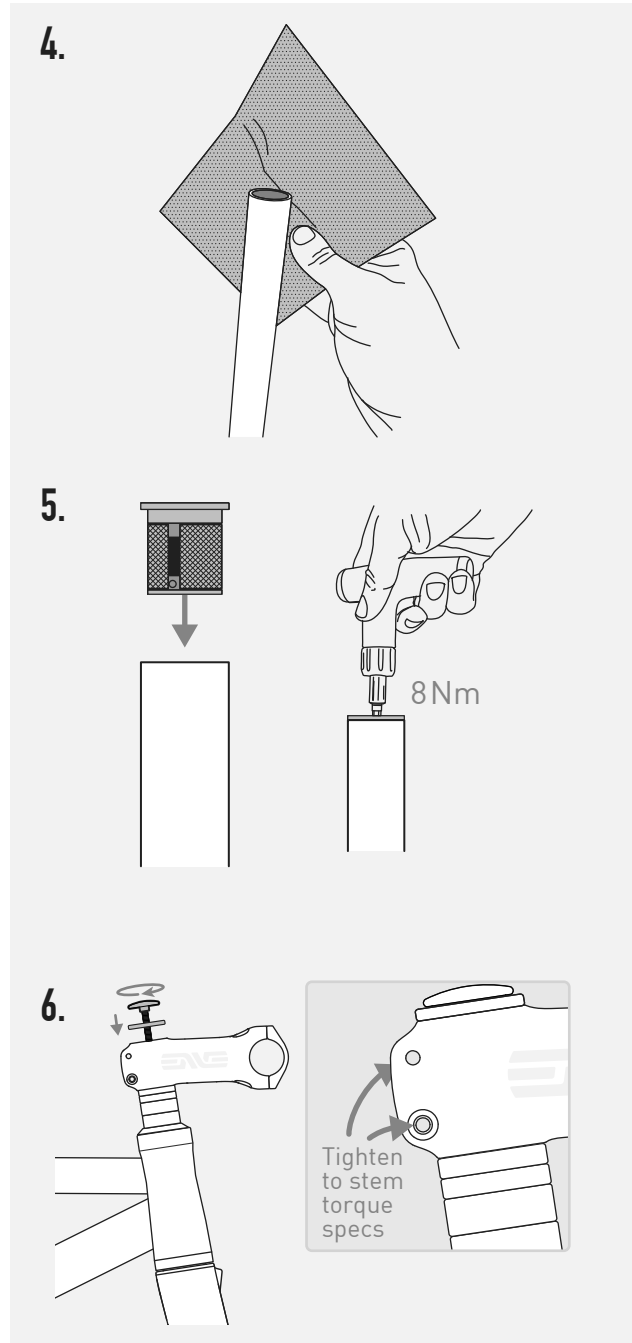
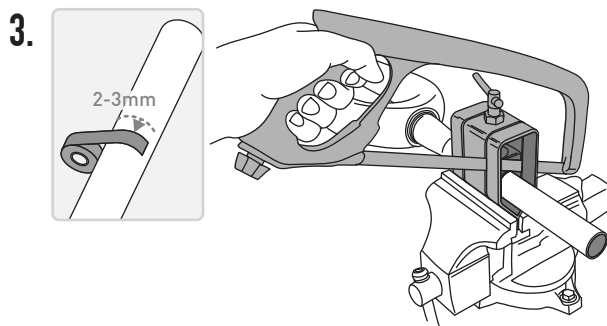
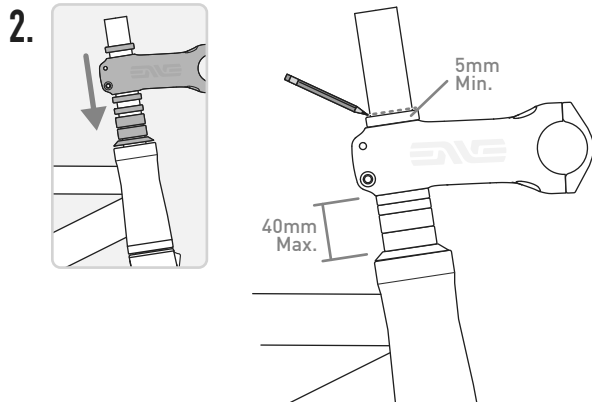
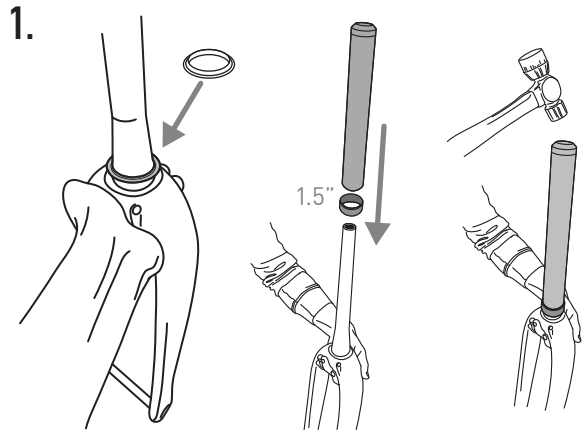
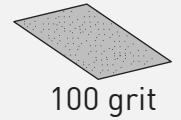
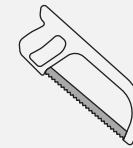
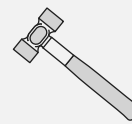


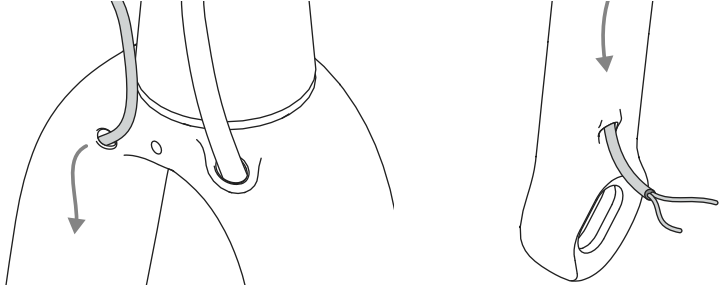
Adventure Fork Installation Instructions

Tools Needed:
4, 5, 6mm Adjustable
Torque Wrench,

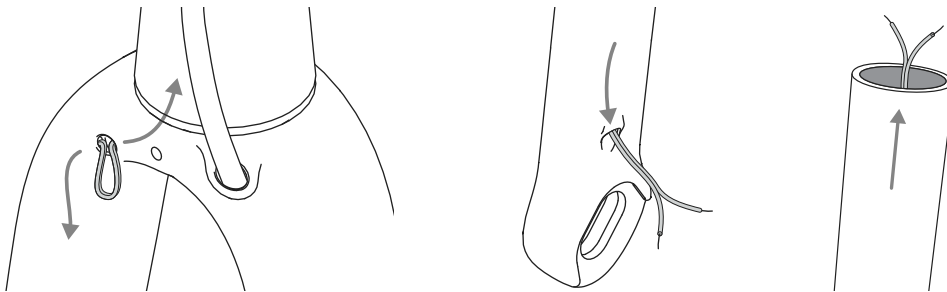


Adventure Fork + Dynamo Hub Routing Instructions

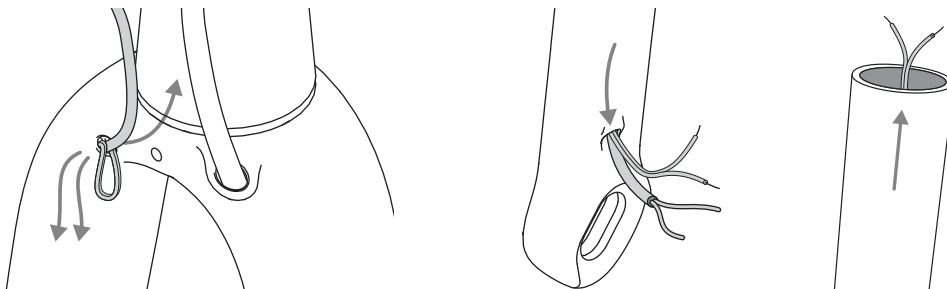
1. Dynamo hub routing for light only



2. Dynamo hub routing for USB topcap only



3. Dynamo hub routing for light & USB topcap



**ENVE Adventure Fork
Installation Instructions**

ENVE Composites, LLC
Ogden, UT 84401, USA